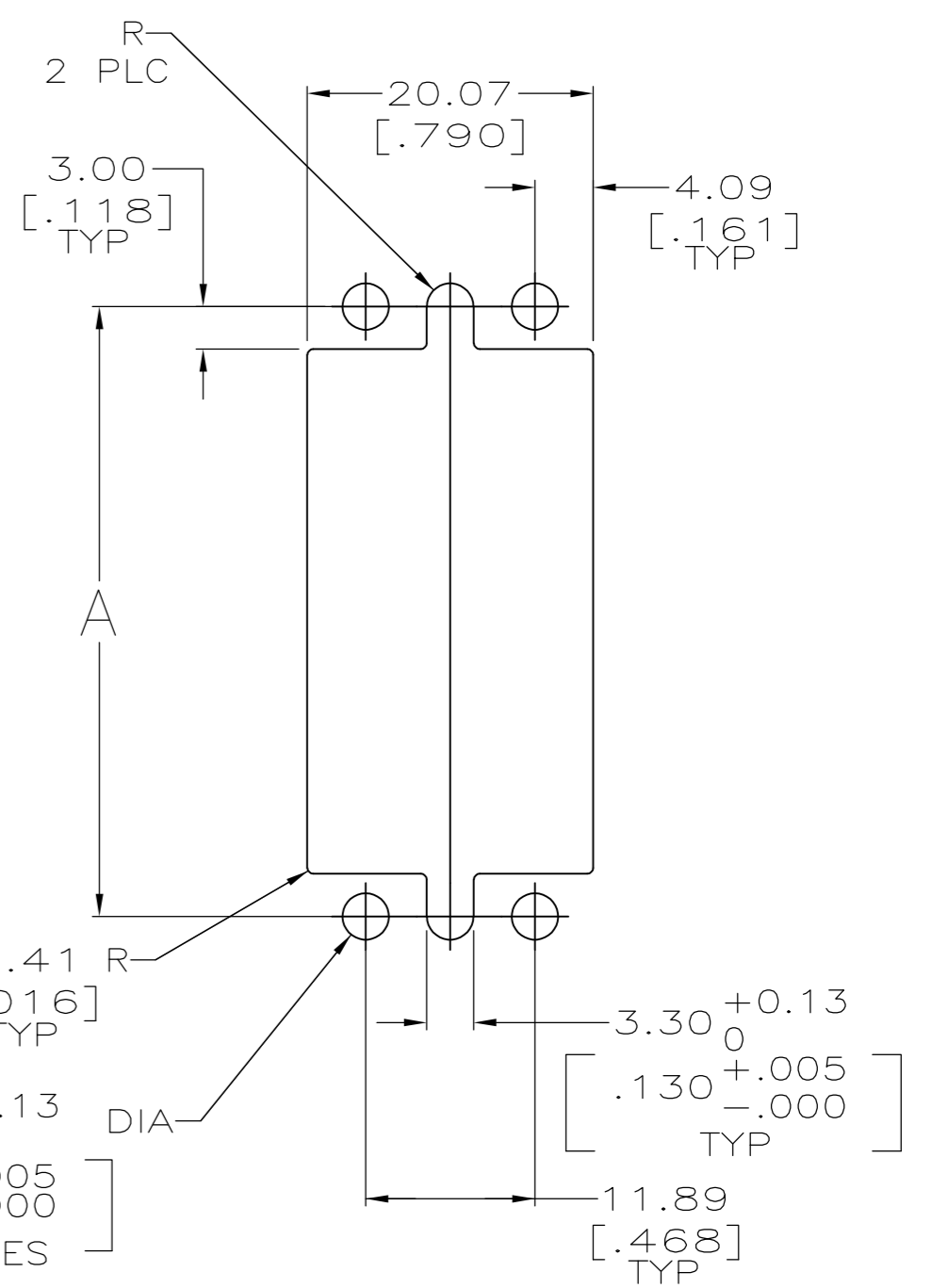
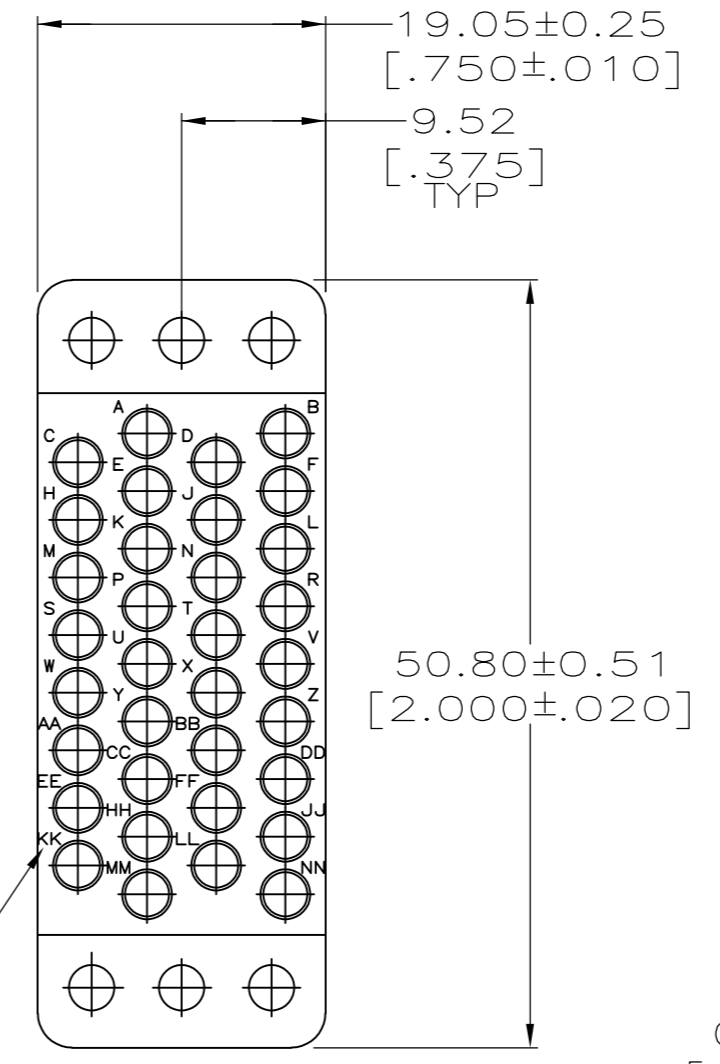
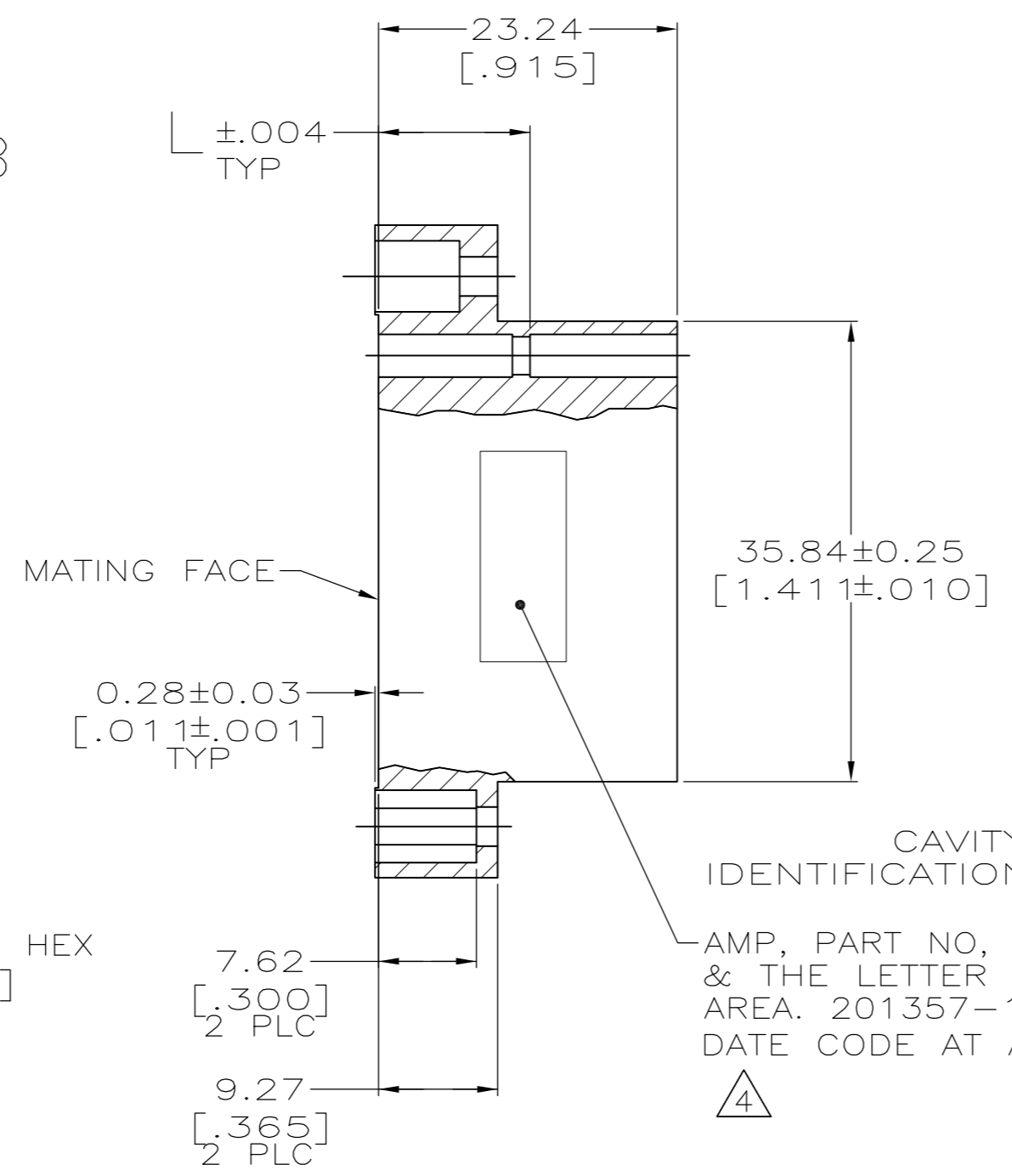
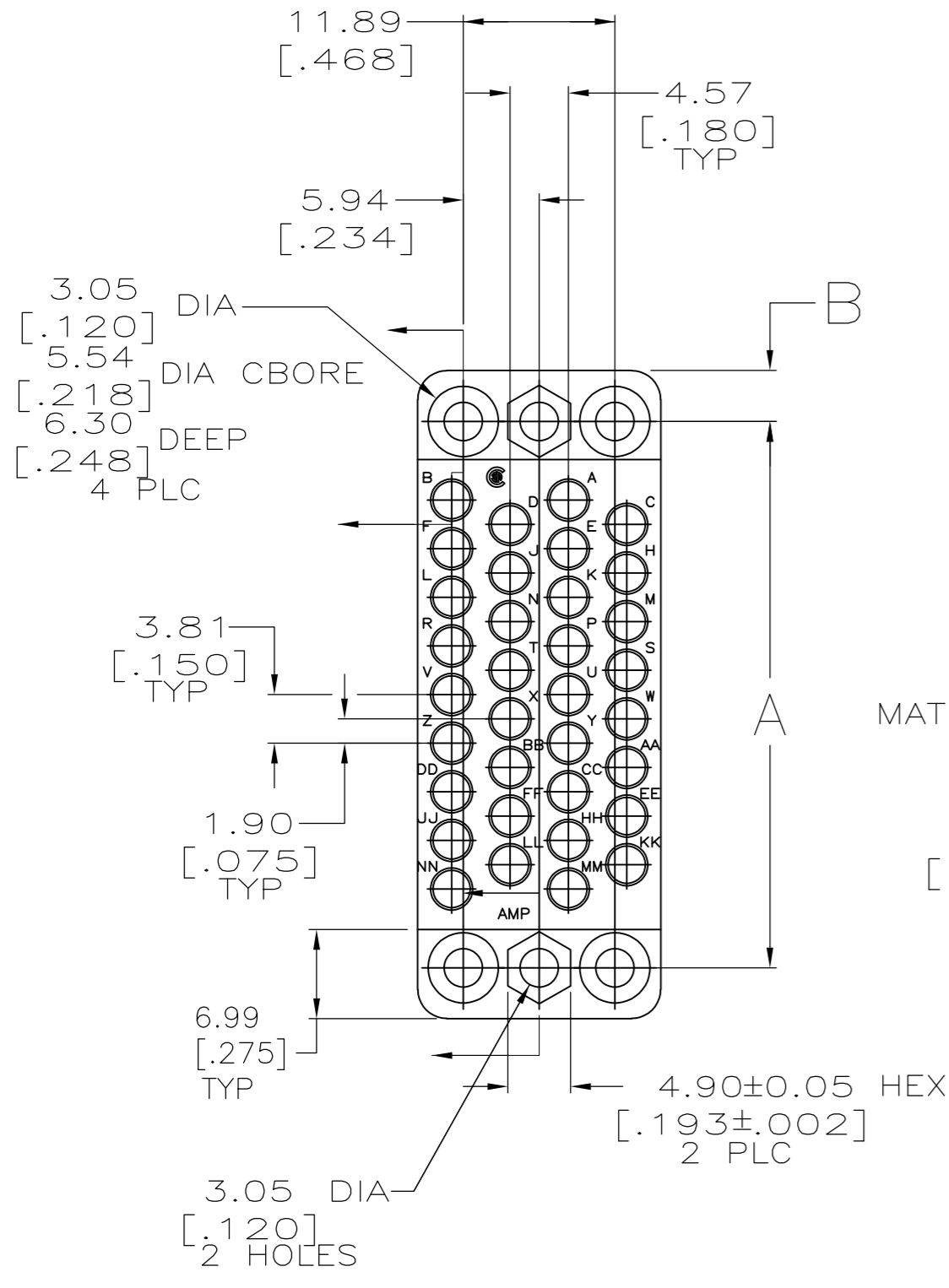


THIS DRAWING IS UNPUBLISHED. RELEASED FOR PUBLICATION
 © COPYRIGHT BY TYCO ELECTRONICS CORPORATION. ALL RIGHTS RESERVED.

LOC	DIST	REVISIONS			
P	LTR	DESCRIPTION	DATE	DWN	APVD
FT	0	T1	REVISED PER ECO-08-000758	1/11/08	SS GS



RECOMMENDED PANEL CUTOUT

- ① PHENOLIC, BLACK.
- ② DIALLYL PHTHALATE, BLUE.
- 3. MATES WITH BLOCK 200838 & ACCOMMODATES TYPE II OR TYPE III #16 PIN OR SOCKET CONTACTS. EXCEPT FOR 201357-1, WHICH ACCEPTS ONLY PIN CONTACTS.
- ④ FOR 201357-9, KS 21303 L9 MARKED IN ADDITION TO THE AMP PART NO.

14.07 [.554]	3.99 [.157]	42.82 [1.686]	①	1-201357-1
14.07 [.554]	3.99 [.157]	42.82 [1.686]	①	1-201357-0
14.07 [.554]	3.86 [.152]	43.08 [1.696]	②	201357-9
14.07 [.554]	3.86 [.152]	43.08 [1.696]	②	201357-3
11.79 [.464]	3.99 [.157]	42.82 [1.686]	①	201357-1
L	B	A	MATERIAL	PART NUMBER

THIS DRAWING IS A CONTROLLED DOCUMENT.		DWN 01/31/92	Tyco Electronics Corporation Harrisburg, PA 17105-3608	
DIMENSIONS: mm [INCHES]		CHK R.STONE 2-4-92	NAME	
TOLERANCES UNLESS OTHERWISE SPECIFIED:		APVD -	PRODUCT SPEC -	
0 PLC ± -		APPLICATION SPEC -		
1 PLC ± -		WEIGHT -		
2 PLC ± 0.13 [.005]		SIZE A2		
3 PLC ± -		CAGE CODE 00779		
4 PLC ± -		DRAWING NO C=201357		
ANGLES ± -		RESTRICTED TO -		
FINISH -		SCALE 2:1		
MATERIAL SEE TABLE		SHEET 1 OF 1		
		REV T1		